

Model	Micro Sorter for A7 / N440	Volt/Hz	Date of Modification	Serial Number
Modified Article	Parts Catalog			
Reason for Modification	Parts catalog correction			

Please correct your parts catalog as follows:

Correction

	P/N	Description	Q'ty	Index No.	Page
Incorrect	12041376	Microswitch	1	119	3
Correct	12042297	Microswitch	1	119	3

T. Ito, Manager
Copier Technical Support

MODEL NAME	V/Hz	DESTINATION	CODE	SERIAL NUMBER
NRG S313	220, 240/50	EUROPE etc.	A327-25	
INFOTEC S101	220, 240/50	EUROPE	A327-26	
RICOH CS120	220, 240/50	EUROPE etc.	A327-27	

Model	CS120 (Micro Sorter for A7)	Volt/Hz	Date of Modification	Serial Number
Modified Article	Parts catalog			
Reason for Modification	Parts catalog correction			

Please correct your parts catalog as follows:

Incorrect P/N	Correct P/N	Description	Q'ty	Parts Catalog	
				Index No.	Page
12041376	12042297	Microswitch	2 → 2	119	3
				109	5

T. Ito, Manager
Copier Technical Support

MODEL NAME	V/Hz	DESTINATION	CODE	SERIAL NUMBER
NRG S313	220, 240/50	EUROPE etc.	A327-25	
INFOTEC S101	220, 240/50	EUROPE	A327-26	
RICOH CS120	220, 240/50	EUROPE etc.	A327-27	

Model	Micro Sorter for A7/N440	Volt/Hz	Date of Modification	Serial Number
Modified Article	Main Board			
Reason for Modification	Standardization with other models			

To standardize with other models, a transistor on the main board has been modified. Part number of the main board is still the same.

Old P/N	New P/N	Description	Q'ty Used	Inter-changeability	Parts Catalog	
					Index No.	Page
14000072	A3275710	Transistor - 2SC 372Y	1 → 0	O/	106	7
		Transistor - KTC 3198 - Y	0 → 1	/O	106	7

S. Hamano, Assistant General Manager
 Technical Support Department

MODEL NAME	V/Hz	DESTINATION	CODE	SERIAL NUMBER
NRG S313	220, 240/50	EUROPE etc.	A327-25	
INFOTEC S101	220, 240/50	EUROPE	A327-26	
RICOH CS120	220, 240/50	EUROPE etc.	A327-27	

Model	Micro Sorter for A7/N440	Volt/Hz	Date of Modification	Serial Number
Modified Article	Sorter Bin - Top			
Reason for Modification	To meet TÜV standards			

To meet TÜV standards, the sorter bin-tops have been changed.

Old P/N	New P/N	Description	Q'ty	Inter-change-ability	Parts Catalog	
					Index No.	Page
A4903005	A3273005	Sorter Bin - Top (RICOH)	1 → 1	X/O	5	3
A4903006	A3273006	Sorter Bin - Top (NRG, Infotec)	1 → 1	X/O	5	
A4903146	-----	Front Mylar Seal - Top Bin	1 → 0	-----	32	
A4903147	-----	Rear Mylar Seal - Top Bin	1 → 0	-----	33	

S. Hamano, Assistant General Manager
 Technical Support Department

MODEL NAME	V/Hz	DESTINATION	CODE	SERIAL NUMBER
NRG S313	220, 240/50	EUROPE etc.	A327-25	2802020001
INFOTEC S101	220, 240/50	EUROPE	A327-26	3B00220001
RICOH CS120	220, 240/50	EUROPE etc.	A327-27	A3122020001

Model	Micro Sorter for A7 / N440	Volt/Hz	Date of Modification	Serial Number
Modified Article	Antistatic Brush			
Reason for Modification	To reduce static electricity on copies			

Draw No.	Old Parts No.	New Parts No.	Description	Rank	Q'ty Used Old→New	Inter-changeability	Parts needed for replacement by new part		Parts Catalog	
							Part No.	Description	No.	Page
	A3272031		Antistatic Brush - Feed out		1 → 0	O/O as a set			4	5
	68022032		Antistatic Brush Angle		1 → 0				3	5
	09654008W		Tapping Screw with Flat Washer - M4 x 8		2 → 0				108	5
		A5572101	Antistatic Brush		0 → 1	O/O as a set			36	5
		08025235	Tapping Bind Screw - M4 x 6		0 → 2				110	5
	67692272		Antistatic Brush		1 → 0	O/O as a set			10	3
	68016211		Top Stay		1 → 0				9	3
		A5572101	Antistatic Brush		0 → 1				35	3

Rank: A : Replace with new parts immediately. B : Replace with new parts at time of repair. C : Replace with new parts at time of overhaul.

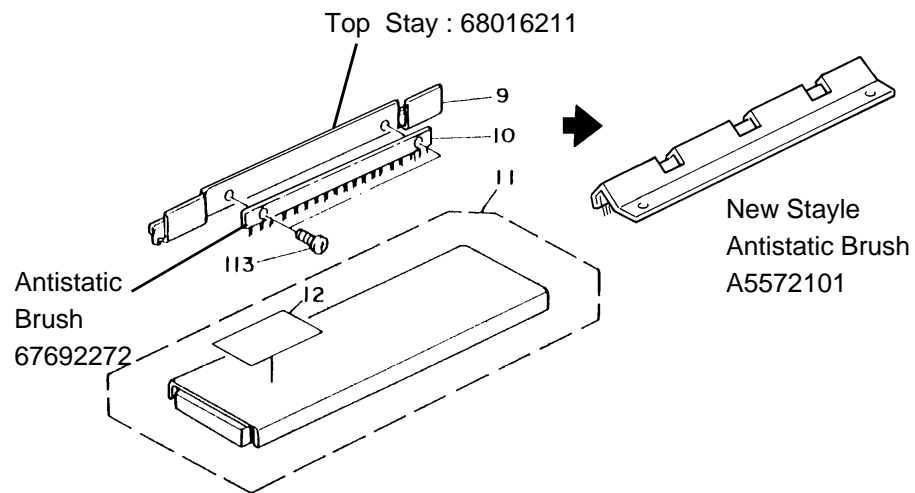
Interchangeability:

(1) When old and new parts are not mutually interchangeable, use additional parts or an assembly part as indicated in "Parts needed for replacement by new part" to install the new part.

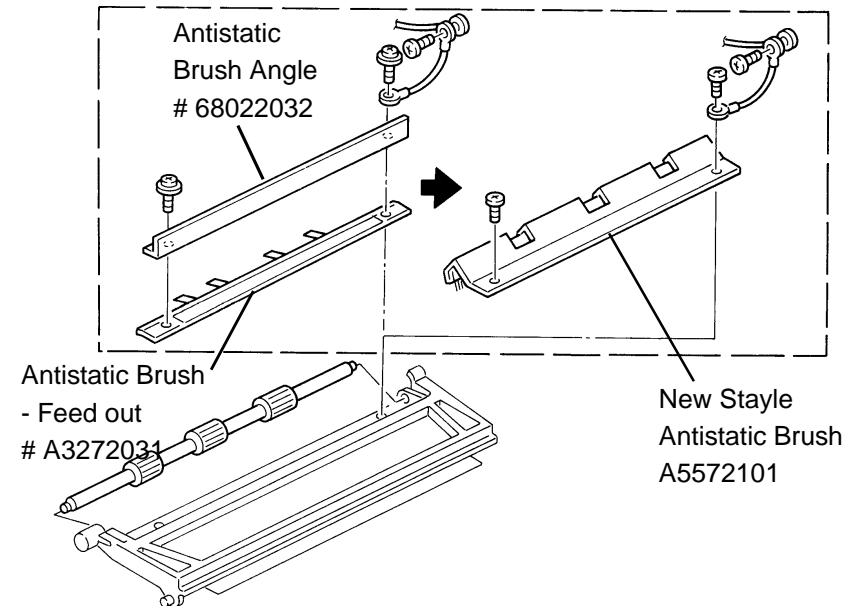
(2) The mark to the left of the slash indicates whether the old part can be used in the new machine, and the mark to the right indicates whether the new part can be used in the old machine. x = Not interchangeable o = Interchangeable

DETAILS OF MODIFICATION

1. EXTERIOR (A490)



2. TRANSPORT (A490)



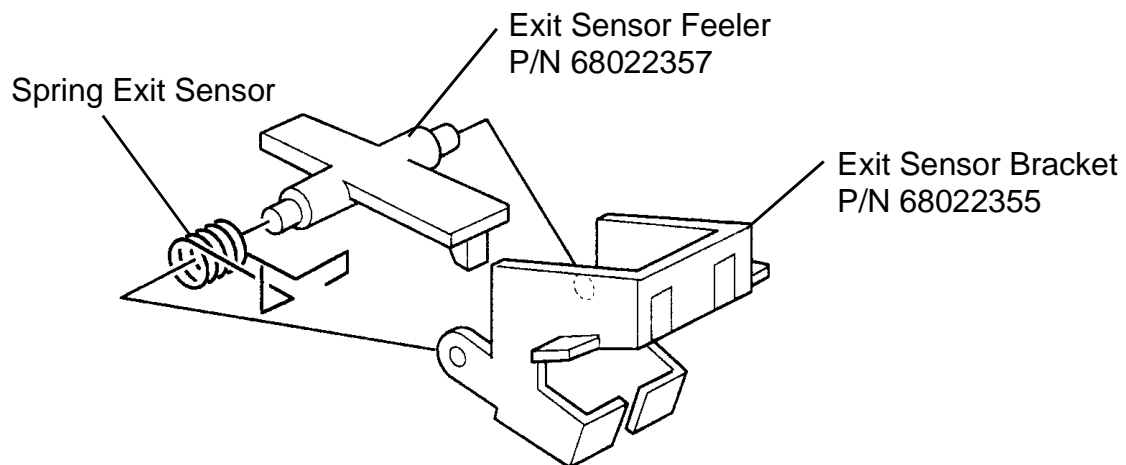
M. Iwasa, Manager
Technical Support Department

MODEL NAME	V/Hz	DESTINATION	CODE	SERIAL NUMBER
NRG S313	220, 240/50	EUROPE etc.	A327-25	
INFOTEC S101	220, 240/50	EUROPE	A327-26	
RICOH CS120	220, 240/50	EUROPE etc.	A327-27	A312501XXXX

Model	Micro Sorter for A7 / N440	Volt/Hz	Date of Modification	Serial Number
Modified Article	Spring - Exit Sensor			
Reason for Modification	To ensure proper operation of the exit sensor			

To ensure proper operation of the exit sensor feeler, a spring has been added.

Old P/N	New P/N	Description	Q'ty Used	Inter-changeability	Parts Catalog	
					Index No.	Page
	A5572143	Spring - Exit Sensor	0 → 1		38	5



M. Iwasa, Manager
 Technical Support Department

MODEL NAME	V/Hz	DESTINATION	CODE	REI PRODUCTION SERIAL NUMBER
NRG S313	220, 240/50	EUROPE etc.	A327-25	280
INFOTEC S101	220, 240/50	EUROPE	A327-26	3B0
RICOH CS120	220, 240/50	EUROPE etc.	A327-27	A312